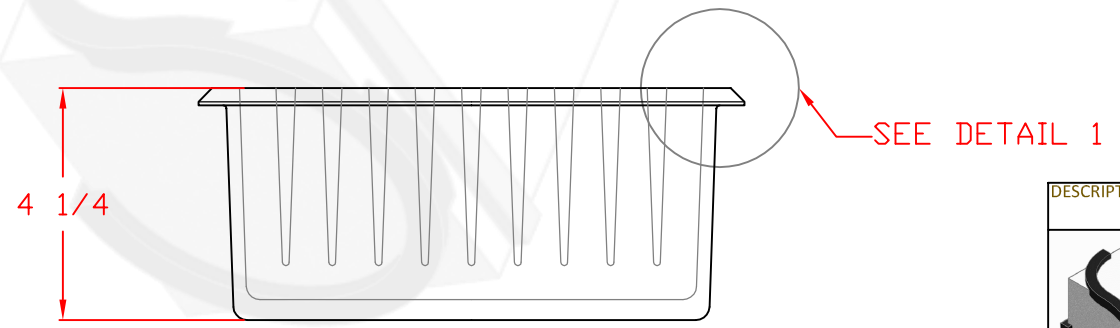
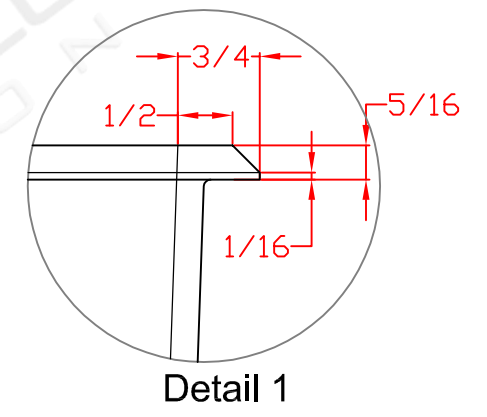
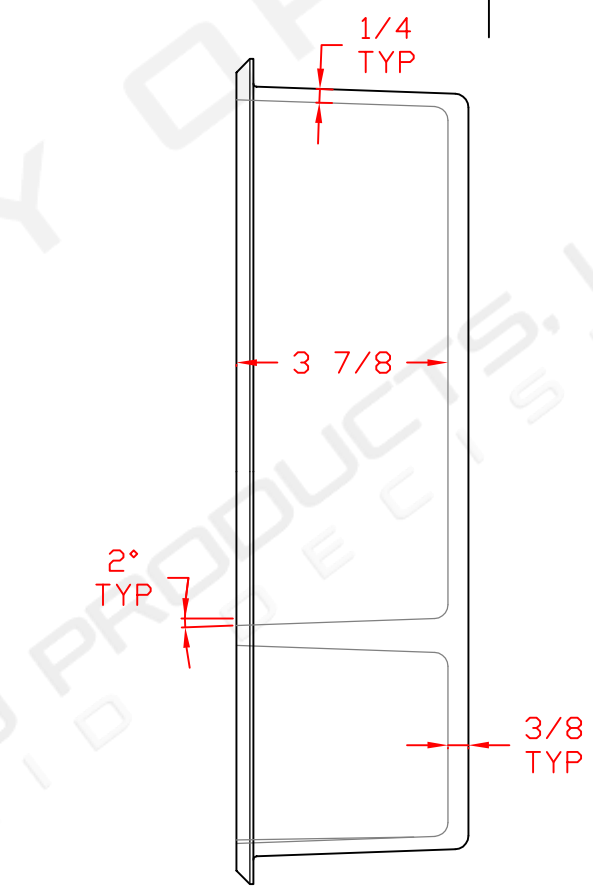
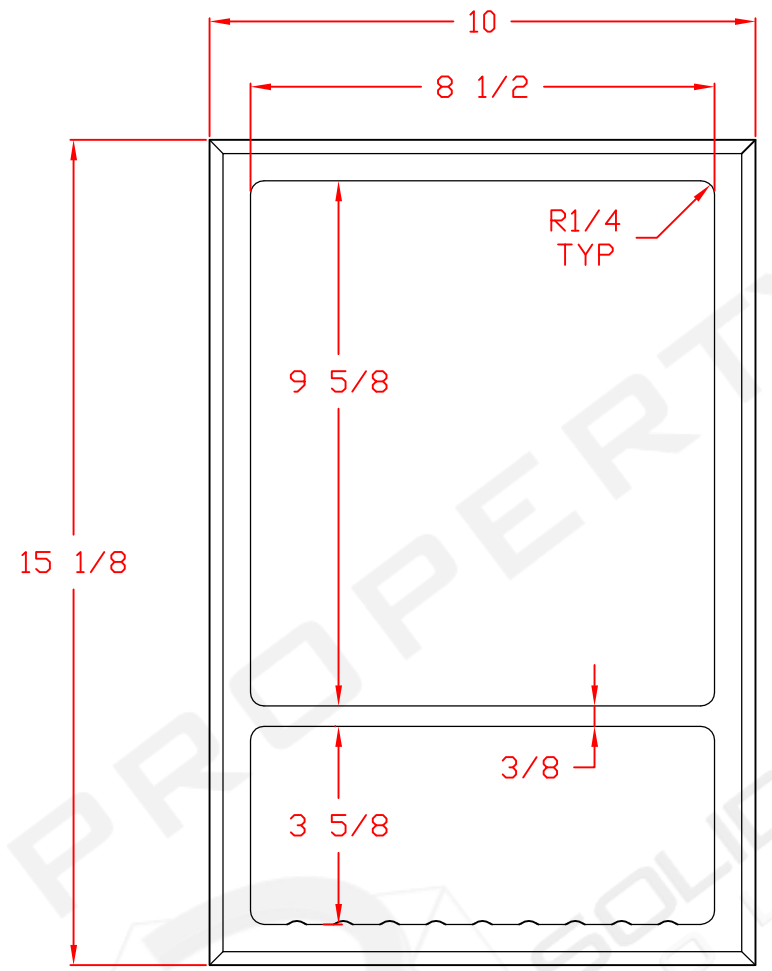
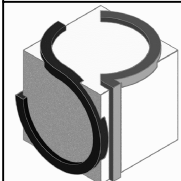


REVISIONS		
REV	DESCRIPTION	DATE



DESCRIPTION		10" x 15" Recessed Caddy	
CODE		AC10X15CADM	
PROJECT			
LOCATION			
COLOR			



SOLID PRODUCTS, LLC  
SOLID DECISION