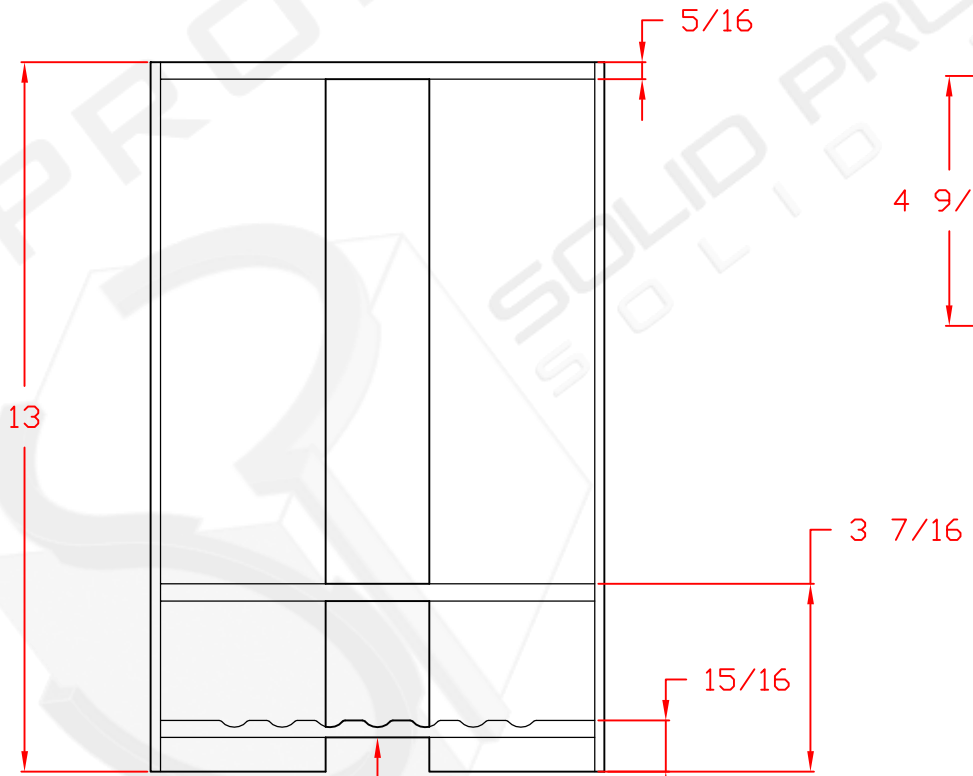
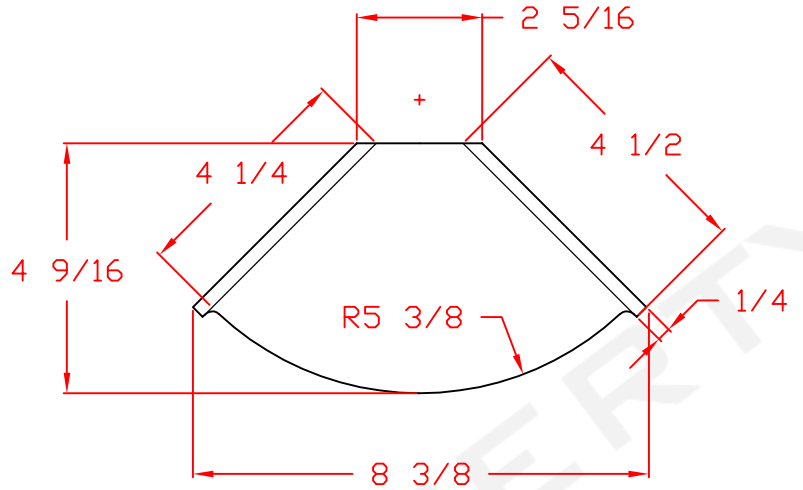
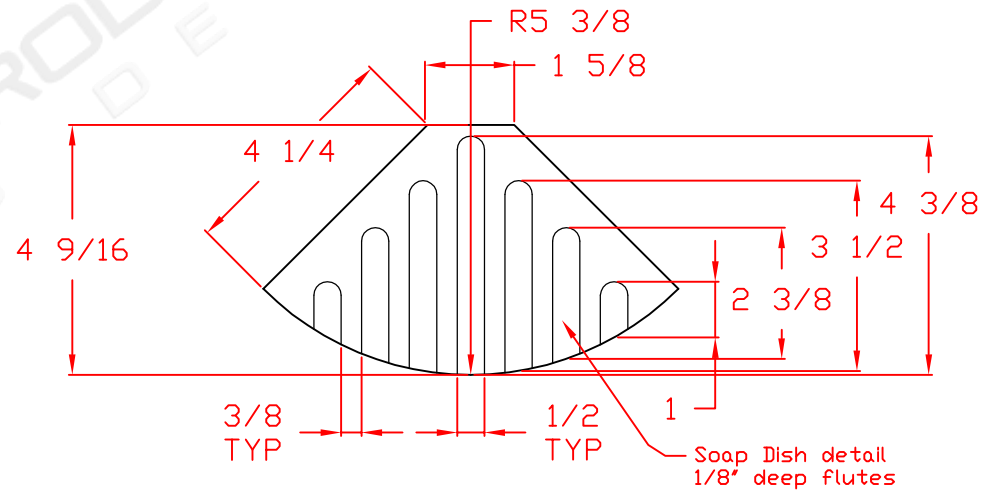


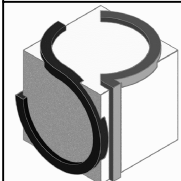
REVISIONS		
REV	DESCRIPTION	DATE



See Soap dish detail



DESCRIPTION		Corner Shower Caddy	
CODE		ACCORNERCDF	
PROJECT			
LOCATION			
COLOR			



SOLID PRODUCTS, LLC
SOLID DECISION