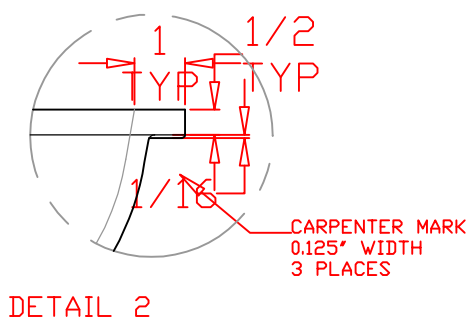
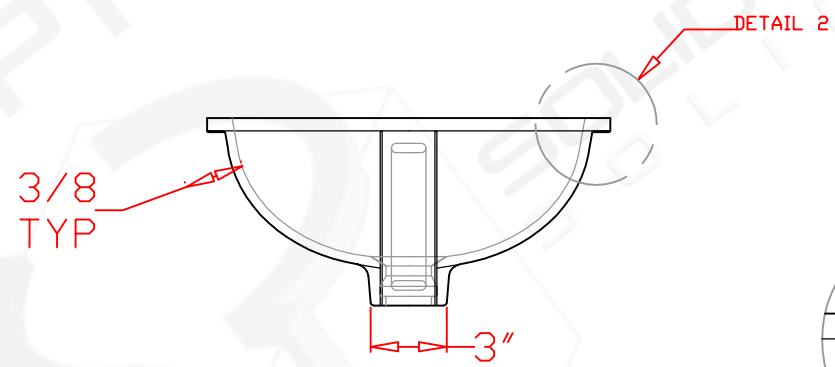
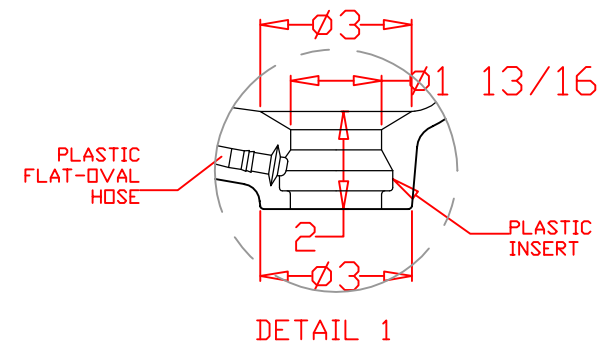
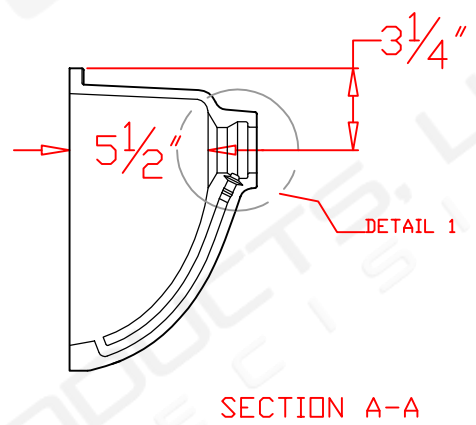
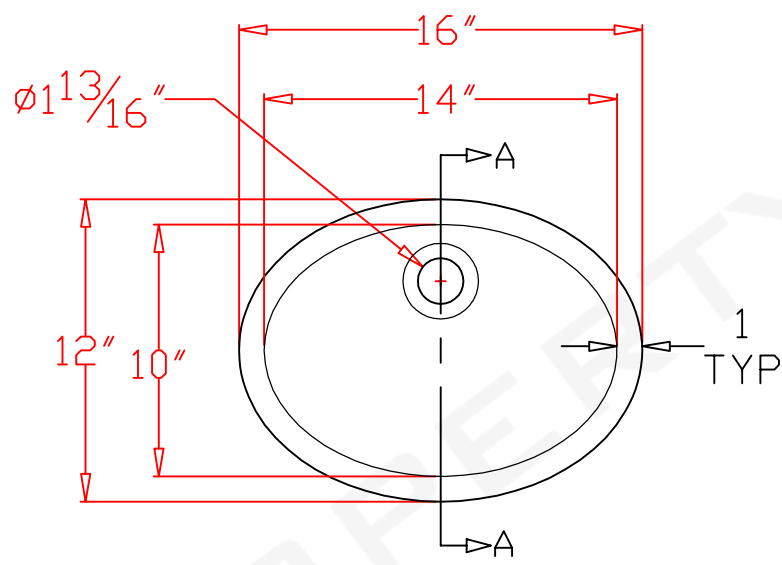
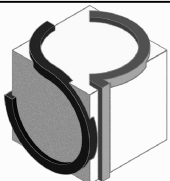


| REVISIONS |             |      |
|-----------|-------------|------|
| REV       | DESCRIPTION | DATE |
|           |             |      |



|   |                     |                           |          |
|---|---------------------|---------------------------|----------|
| DESCRIPTION   |                     | 14" x 10" Undermount Bowl |          |
|  | SOLID PRODUCTS, LLC |                           | CODE     |
|   | SOLID DECISION      |                           | PROJECT  |
|   |                     |                           | LOCATION |
|   |                     |                           | COLOR    |