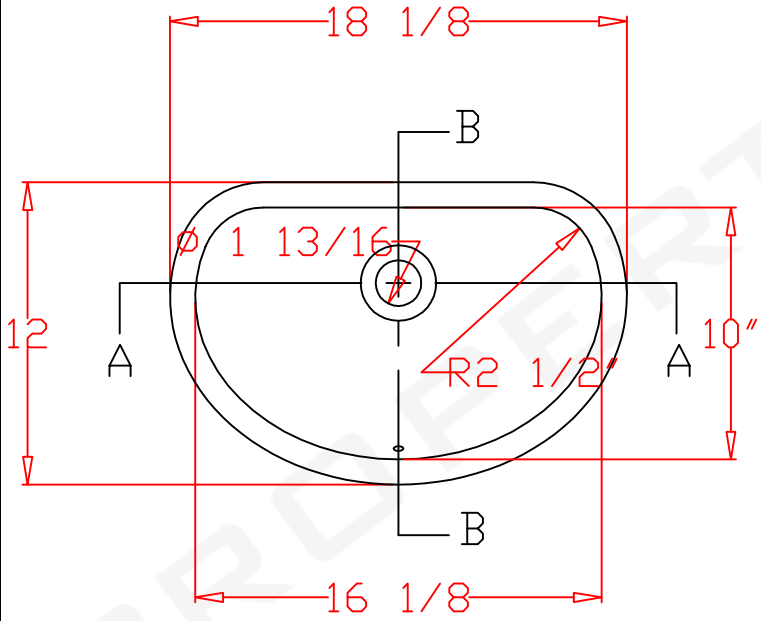
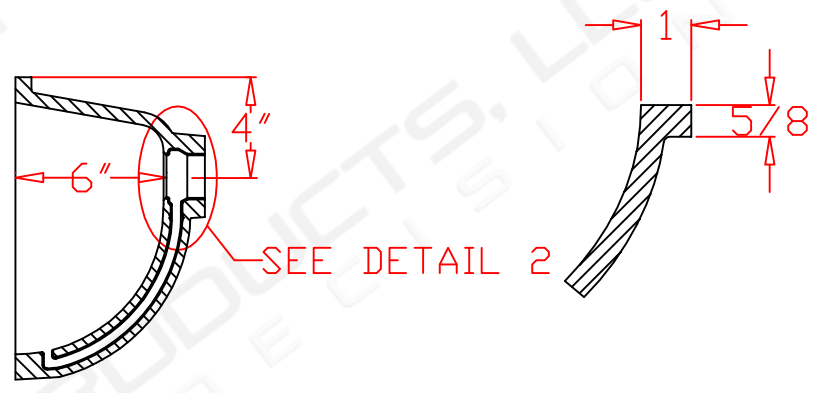


REVISIONS		
REV	DESCRIPTION	DATE

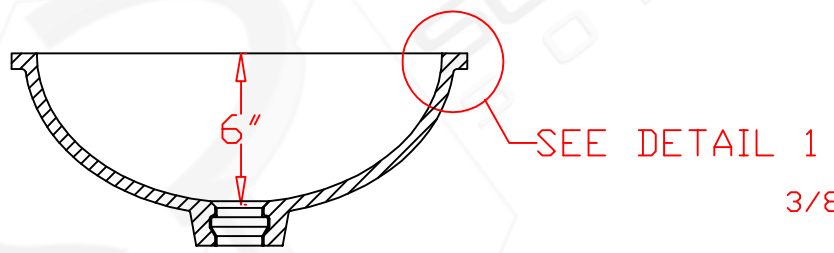


PLAN VIEW

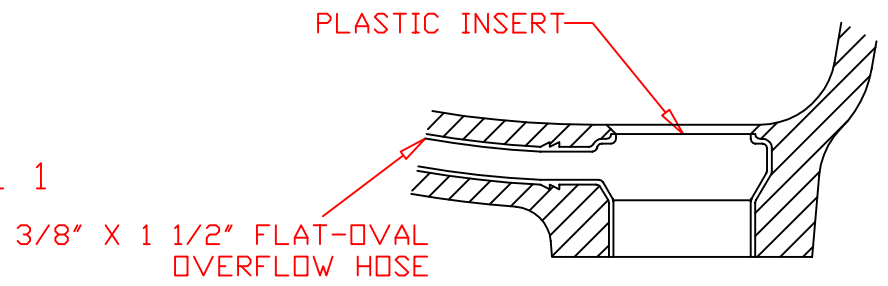


CROSS SECTION B-B

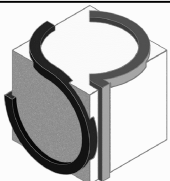
DETAIL 1



CROSS SECTION A-A



DETAIL 2/Drain Insert

DESCRIPTION		16" x 10" Undermount Bowl	
	SOLID PRODUCTS, LLC		CODE
	SOLID DECISION		PROJECT
			LOCATION
			COLOR