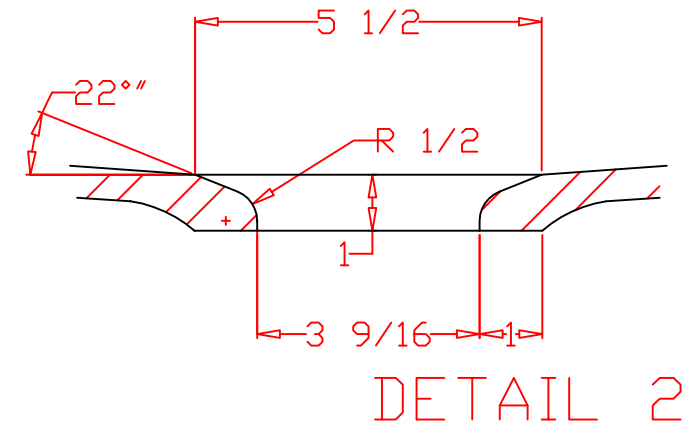
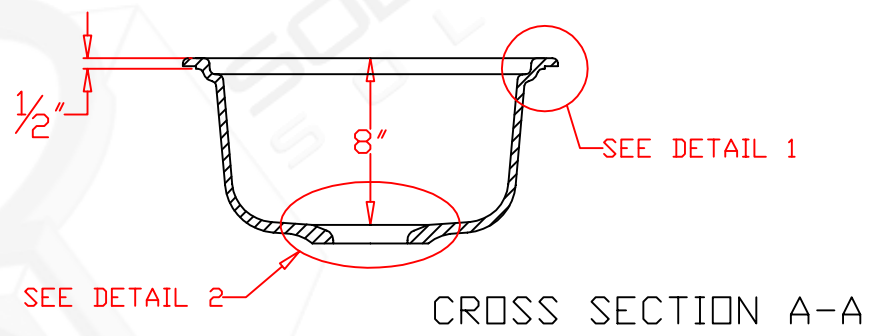
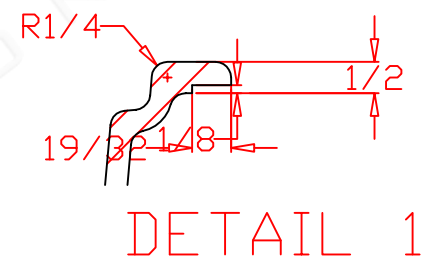
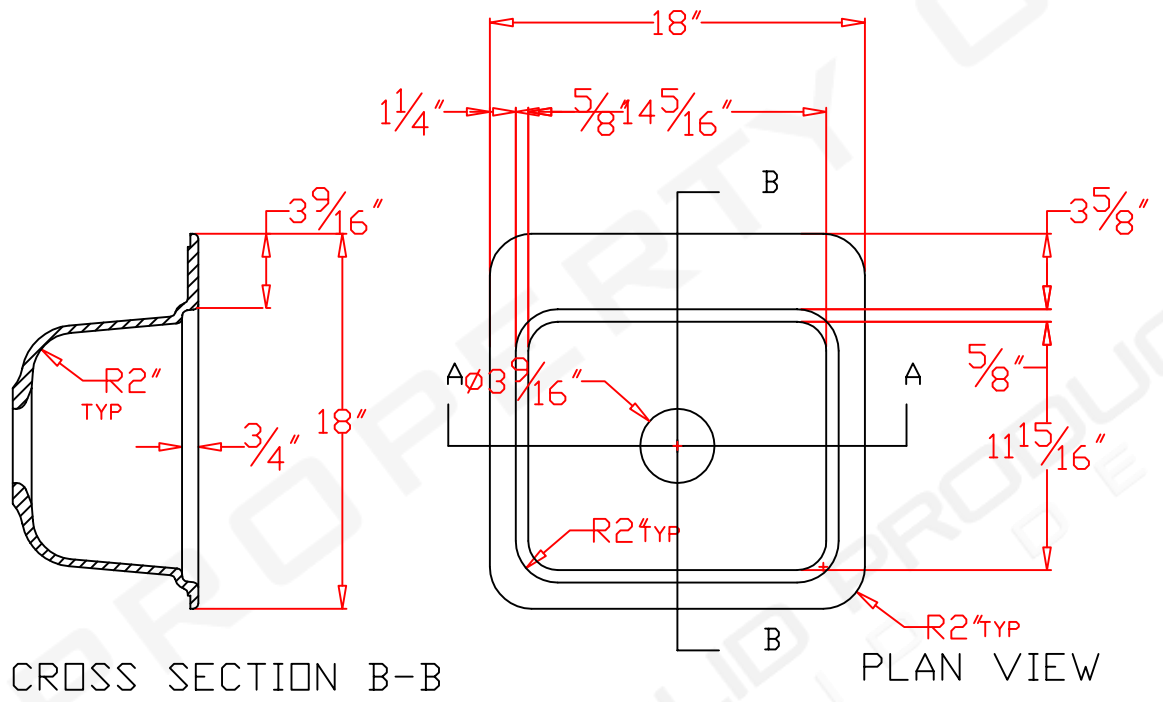
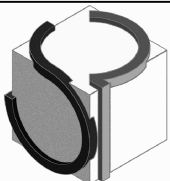


REVISIONS		
REV	DESCRIPTION	DATE



DESCRIPTION		18" x 18" Topmount Sink	
	CODE		
	PROJECT		
	LOCATION		
	COLOR		