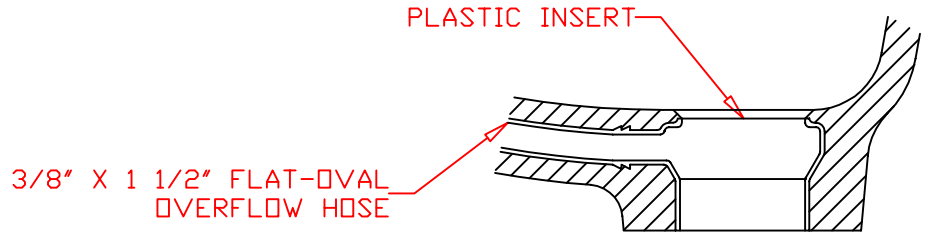
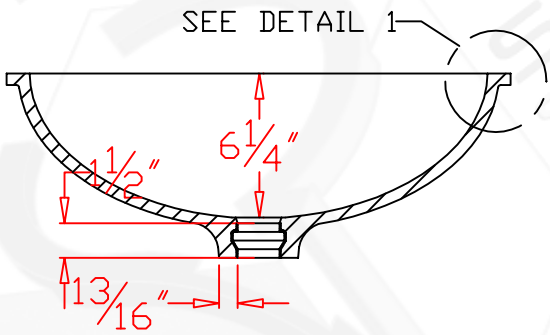
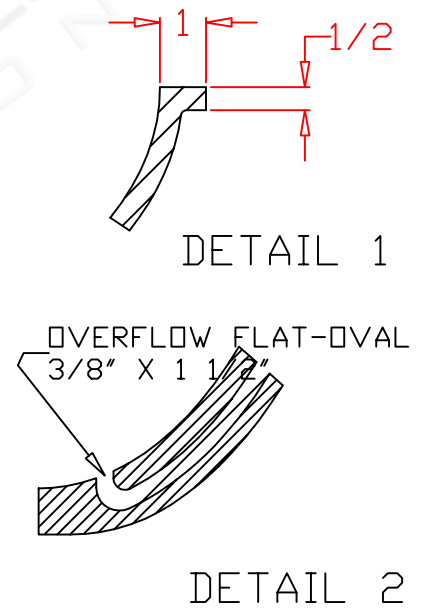
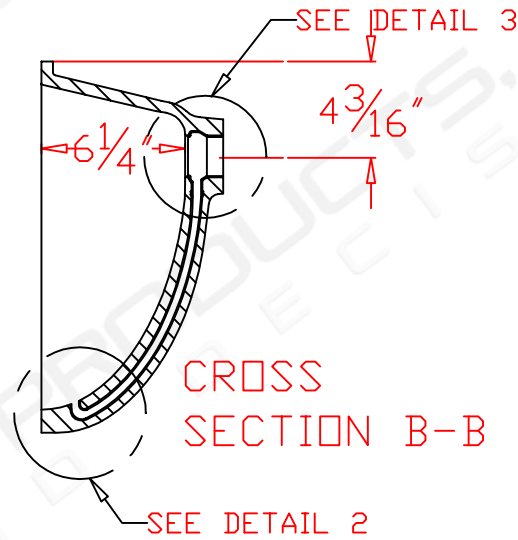
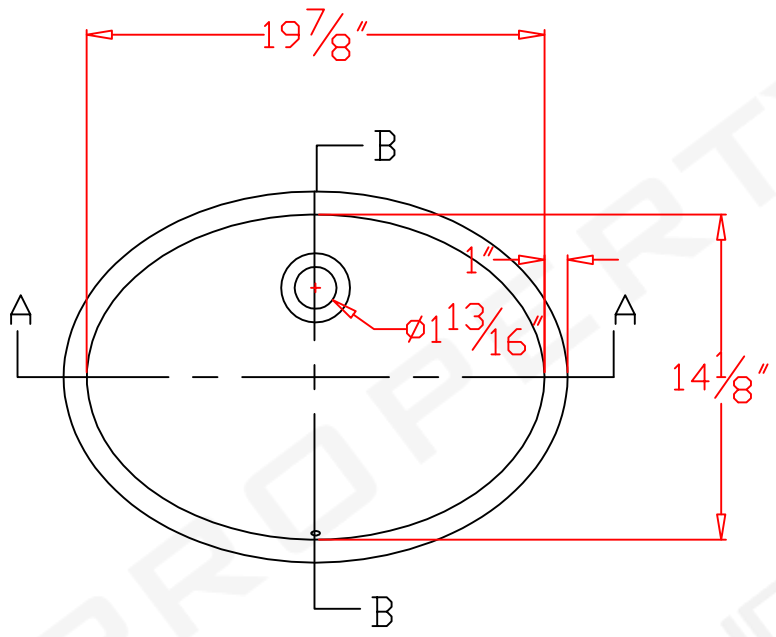
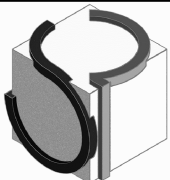


REVISIONS		
REV	DESCRIPTION	DATE



CROSS SECTION A-A

DETAIL 3 / Drain Insert

DESCRIPTION		19" x 14" Undermount Bowl	
	CODE		
	PROJECT		
	LOCATION		
	COLOR		