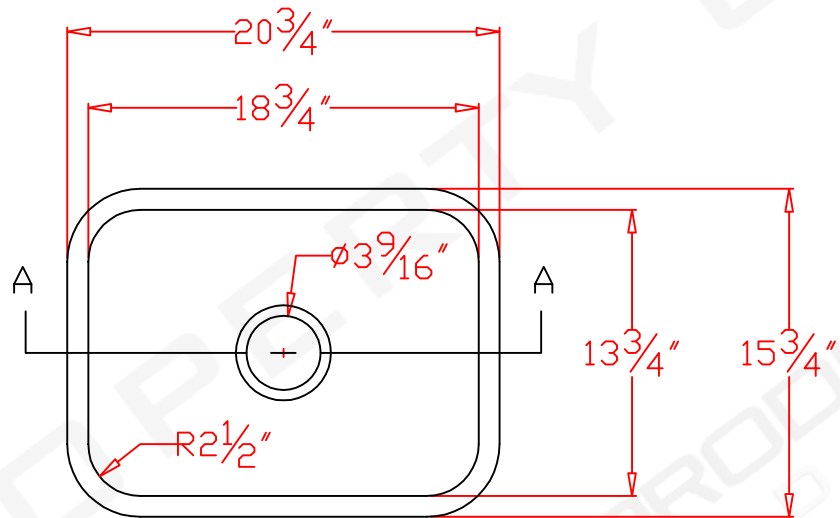
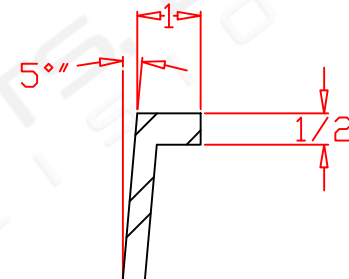


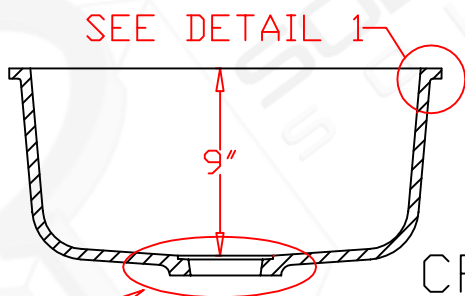
REVISIONS		
REV	DESCRIPTION	DATE



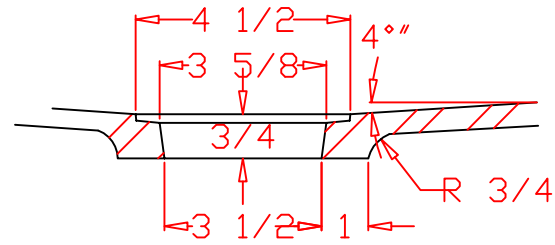
PLAN VIEW



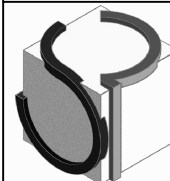
DETAIL 1



CROSS SECTION A-A



DETAIL 2

DESCRIPTION		20" x 15" Undermount Sink
	SOLID PRODUCTS, LLC	
	SOLID DECISION	
	CODE	
	PROJECT	
LOCATION		
COLOR		