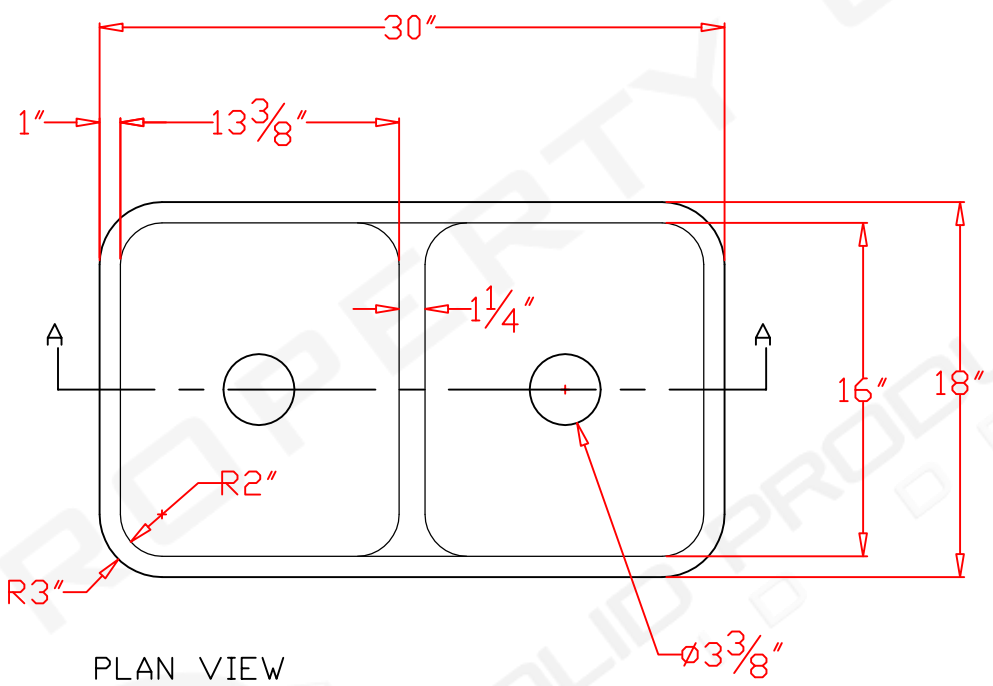
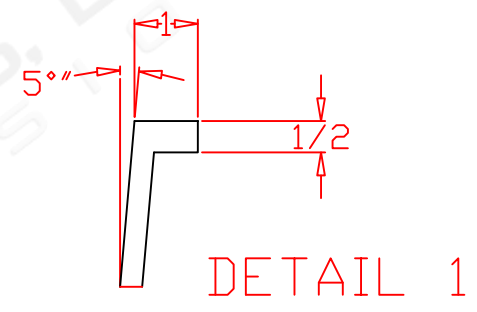


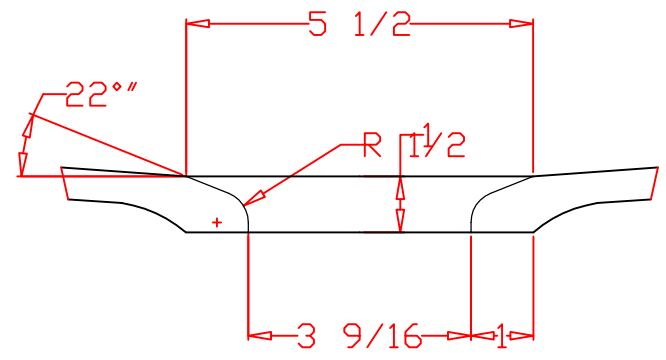
| REVISIONS |             |      |
|-----------|-------------|------|
| REV       | DESCRIPTION | DATE |
|           |             |      |



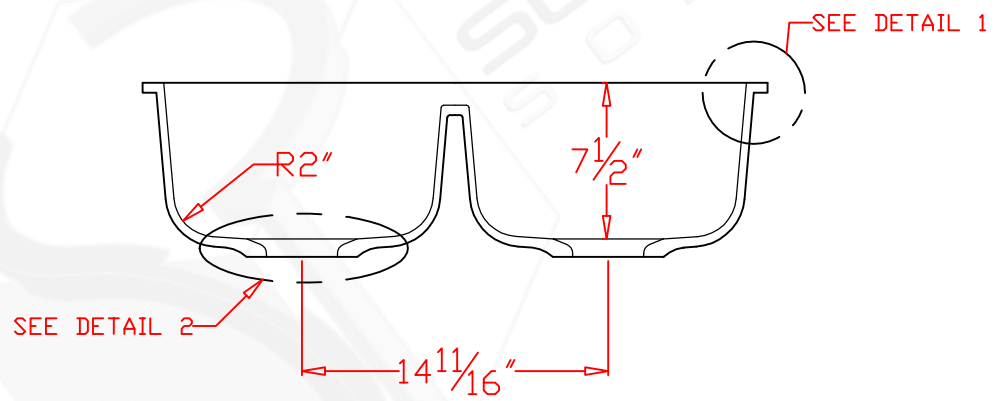
PLAN VIEW



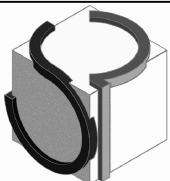
DETAIL 1



DETAIL 2



CROSS SECTION A-A

|   |          |                           |  |
|---|----------|---------------------------|--|
| DESCRIPTION   |          | 30" x 18" Undermount Sink |  |
|  | CODE     |                           |  |
|   | PROJECT  |                           |  |
|   | LOCATION |                           |  |
|   | COLOR    |                           |  |