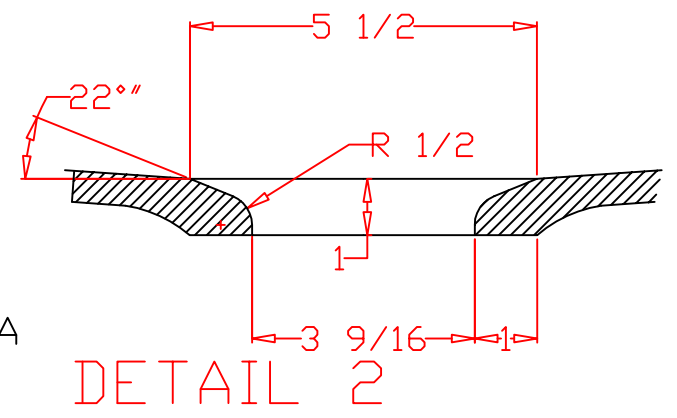
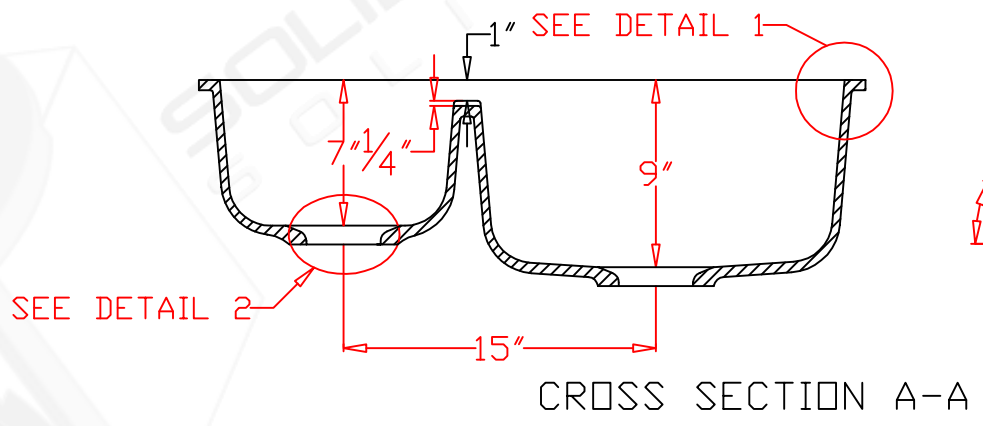
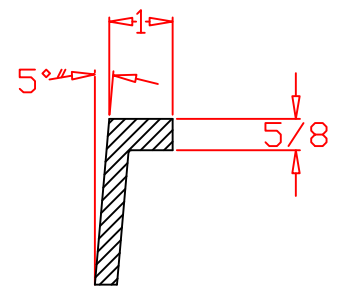
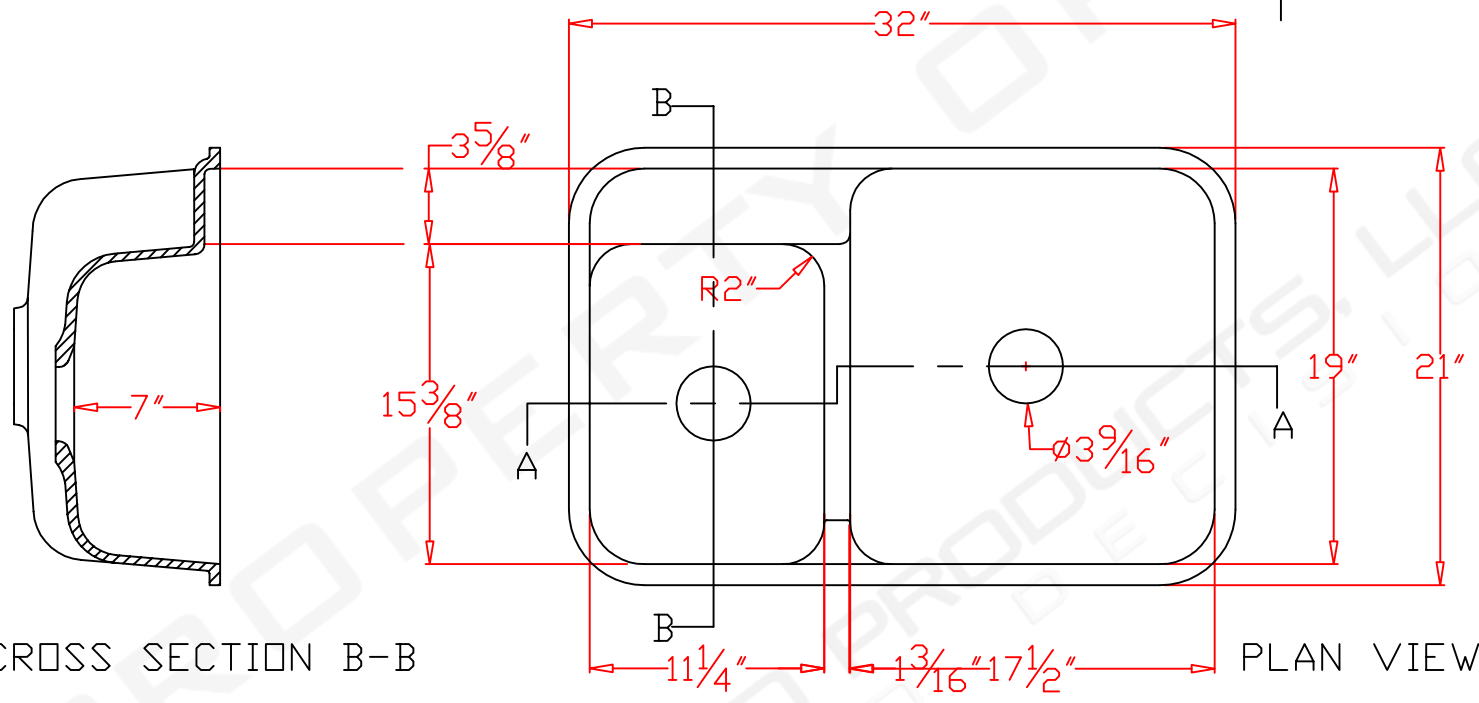
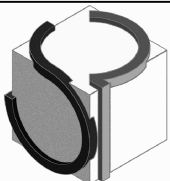


REVISIONS		
REV	DESCRIPTION	DATE



DESCRIPTION		32" x 21" Undermount Sink	
 SOLID PRODUCTS, LLC SOLID DECISION		CODE	
		PROJECT	
		LOCATION	
		COLOR	